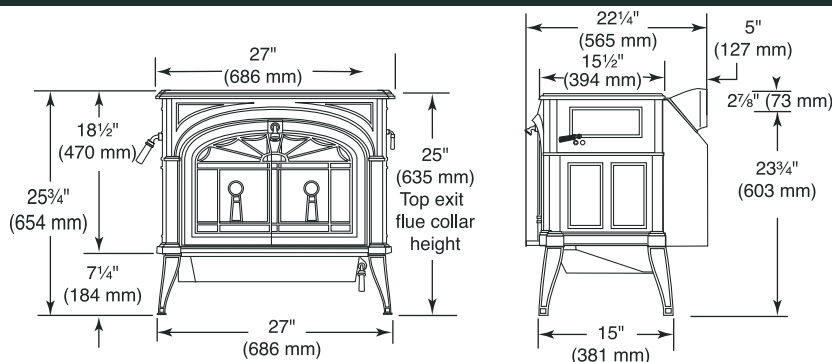


VERMONT CASTINGS WOODSTOVE SPECIFICATIONS

ENCORE NON-CATALYTIC MODEL 1450 WOOD BURNING STOVE



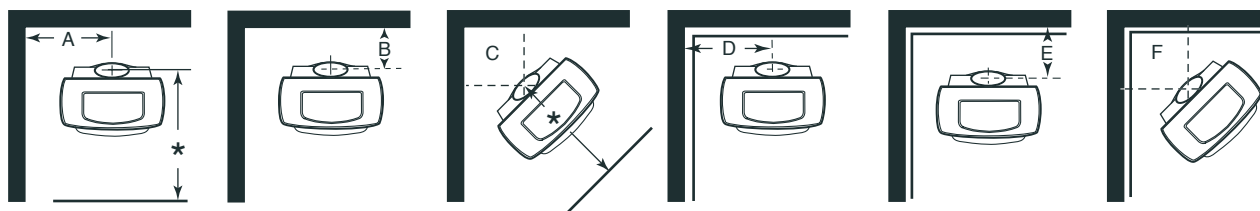
Drawings not to scale

FLUE COLLAR CENTERLINE LOCATIONS

The dimensions below are helpful in planning stove placement, particularly in those installations with chimneys that pass through the ceiling. However, this is not a clearance chart. Final stove clearances must adhere to the guidelines in the clearance charts on the next pages. Dimensions indicated are valid for stoves with either a 6" or 8" flue collar.

Encore: WITHOUT Chimney Connector Heat Shields

Unprotected Surfaces		Protected Surfaces			
Parallel Installations		Corner Installations**	Parallel Installations		Corner Installations**
Side (a)	Rear (B)	Side (A)	Side (D)	Rear (E)	Corner (F)
30 1/2" (775 mm)	25 1/4" (641 mm)	34 1/2" (876 mm)	21 1/2" (546 mm)	11 1/4" (286 mm)	14 1/2" (368 mm)



* This distance, from the center of the flue collar to the front edge of the hearth, is the same for all installations on this page: 35 1/4" in the United States and 37 1/4" (946 mm) in Canada.

Encore: WITH Chimney Connector Heat Shields

Unprotected Surfaces		Protected Surfaces			
Parallel Installations		Corner Installations**	Parallel Installations		Corner Installations**
Side (A)	Rear (B)	Corner (C)	Side (D)	Rear (E)	Corner (F)
30 1/2" (775 mm)	13 1/4" (337 mm)	25 1/2" (648 mm)	21 1/2" (546 mm)	7 1/4" (184 mm)	13 1/2" (343 mm)



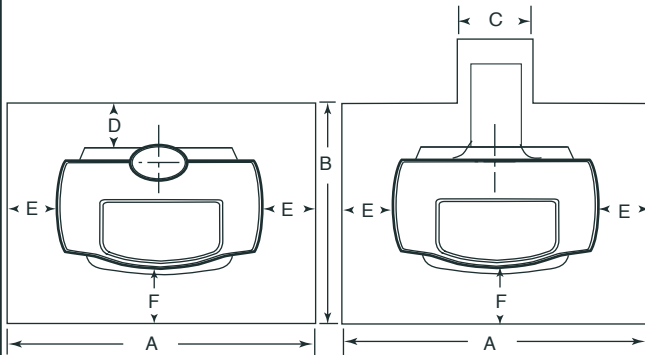
**To locate center of flue collar for corner installation, add 6 1/2" (165 mm) to the clearance distance from stove corner to wall. Mark off the resulting distance from the corner along both walls. Next, measure the same distance from these two points out from the walls. These last two measurements will meet at a point representing the center of the flue collar. Refer to the diagrams above.

PRODUCT LISTING

This heater meets the-U.S. Environmental Protection Agency's emission limits for wood heaters sold on or after July 1, 1990. Under specific test conditions this heater has been shown to deliver heat at rates ranging from 10,600 to 24,050 Btu/hr.

The Encore Model 1450 has been tested and is safety listed by OMNI-Test Laboratories of Beaverton, Oregon. The test standards are ANSI/UL-1482 and ANSI/UL-737 for the United States, and ULC S627. The Encore is listed for burning wood. Do not burn other fuels.

HEARTH DIMENSIONS



	U.S.	Canada
A.	39"	43" (1092 mm)
B.	45"	49" (1245 mm)
C.	12"	12" (305 mm) 8" Connector
	10"	10" (255 mm) 6" Connector
D.	6"	8" (200 mm)
E.	6"	8" (200 mm)
F.	16"	18" (450 mm)

Required thermal protection: 1/2" (13 mm) minimum noncombustible material with an R-value of at least 0.59.

CHIMNEY SYSTEMS

An Encore with an 8" (203 mm) flue collar is approved for venting into a masonry chimney with a nominal flue size of 8" x 8" (203 x 203 mm) or 8" x 12" (203 x 305mm), and into a round flue with nominal flue size of 8" (203 mm). An Encore with a 6" (152 mm) flue collar is approved for venting into a masonry chimney with a nominal flue size of 8" x 8" (203 x 203 mm), and into a round flue with nominal flue of 6" (152 mm).

STOVE FACTS

ENCORE NON-CATALYTIC 1450 MODEL

FEATURES:

- Non-Catalytic Combustion / 0.7 grams per hour¹
- Top and Front Loading
- Ceramic Glass, IR Coated
- Swing-out Removable Ash Pan
- Porcelain Enamel Colors: Bordeaux, Midnight Blue, Biscuit, Chestnut Brown, Ebony Black, Vt. Classic Green and Classic Black

HEATING EFFICIENCY: 68 %²

MAXIMUM HEAT OUTPUT: 40,000 Btu/hr.³

HEATING CAPACITY: Up to 1,900 sq. ft. (175 sq.m.)⁴

FUEL SIZE: 20" (508 mm) Logs

FLUE EXIT POSITION: Reversible Top or Rear

PRIMARY AIR: Manual control

SECONDARY AIR: Fixed, Self-regulating

WEIGHT: 395 lbs. (179 kg)

OPTIONAL ACCESSORIES

0127	Sparkscreen (for use with 8" Flue system only)
3265	Outside Air Termination Kit
0336	Mobile Home OSA Kit
0574	Stove Surface Thermometer
2767	FK26 Variable Speed Heat Activated Fan

8" Adaptors and 6" Flue Collars (one Required) - SEE PRICE LIST

8" Adaptors - Black available - SEE PRICE LIST

8" Adaptors - Enamel available - SEE PRICE LIST

6" Flue Collars available - SEE PRICE LIST

WARMING SHELVES available - SEE PRICE LIST

CLEARANCE REDUCING HEAT SHIELDS available - SEE PRICE LIST

ACCESSORIES

3419	Gasket Kit
5004265	Damper Handle Stub
5004022	Griddle handle

¹ Under specific conditions used during EPA emissions testing.

² Based on CSA B415 methods.

³ This value can vary depending on how the stove is operated, the type and moisture content of the fuel used, as well as the design, construction, and climatic location of your home. Figures shown are based on maximum fuel consumption obtained under laboratory conditions and on average efficiencies.

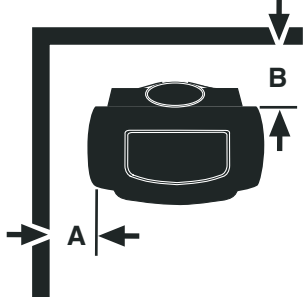
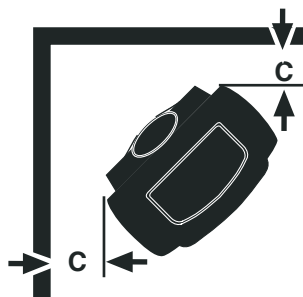
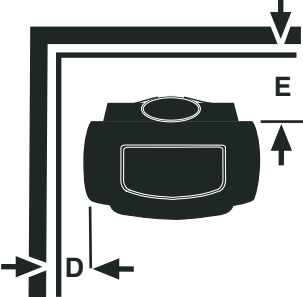
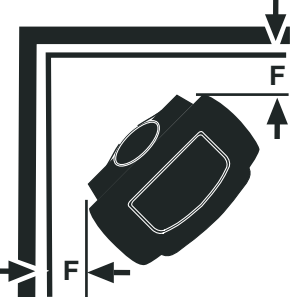
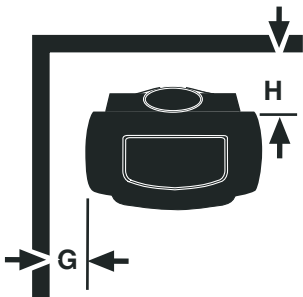
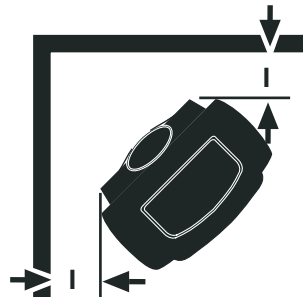
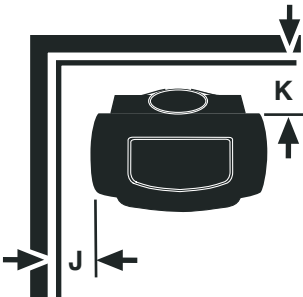
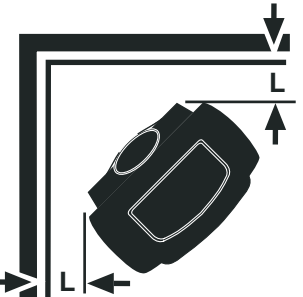
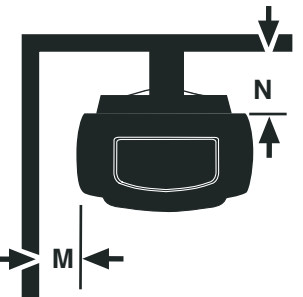
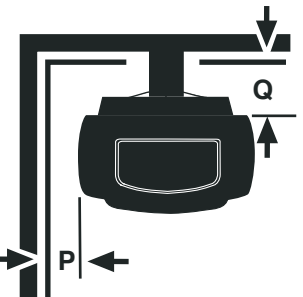
⁴ These values are based on operation in building code-conforming homes under typical winter climate conditions in New England. If your home is of non-standard construction (e.g., unusually well-insulated, not insulated, built underground, etc.) or if you live in a more severe or more temperate climate, these figures may not apply. Since so many variables affect performance, consult your Vermont Castings Authorized Dealer to determine realistic expectations for your home.

The Stove Facts Information Sheets are for quick reference only and are subject to change without notice. Actual fireplace instructions must abide by specifications provided with each product



Encore Clearance Diagrams

For use with either 6" or 8" flue collar/chimney connector

Unprotected Surfaces		Protected Surfaces	
Stove Installed Parallel to Wall	Stove in Corner	Stove Installed Parallel to Wall	Stove in Corner
<p>Top Exit Installations, No Stove Heat Shields, collar heat shield installed.</p>			
			
<p>Top Exit Installations, vertical collar heat shield, and chimney connector heat shields or double-wall connector.</p>			
			
<p>Rear Exit Installations.</p>			
	<p style="text-align: center;">N/A</p>		<p style="text-align: center;">N/A</p>

Encore NC Clearance Chart

For use with either 6" or 8" flue collar/chimney connection

	Unprotected Surfaces			Protected Surfaces		
	Stove Clearance					
	Stove Installed Parallel to Wall		Stove in Corner	Stove Installed Parallel to Wall		Stove in Corner
	Side	Rear	Corners	Side	Rear	Corners
No stove heat shields, vertical flue collar heat shield installed (except where noted)	(A) 17" (432 mm)	(B) 29" (737 mm)	(C) 28" (711 mm)	(D) 8" ^{1,4} (203 mm)	(E) 15" ^{1,4} (380 mm)	(F) 8" ^{1,4} (203 mm)
Top Exit , single-wall chimney connector heat shields ² , vertical flue collar h.s. installed	(G) 17" (432 mm)	(H) 17" (432 mm)	(I) 19" (483 mm)	(J) 8" ¹ (203 mm)	(K) 11" ¹ (280 mm)	(L) 7" ¹ (178 mm)
Rear Exit	(M) 18" (457 mm)	(N) 24" ⁵ (610 mm)	N/A	(P) 8" (203 mm)	(Q) 6" Collar 11" (279 mm) 8" Collar 19" (483 mm)	N/A
Top Exit , double-wall chimney connector, vertical flue collar heat shield installed	(G) 18" (457 mm)	(H) 6" Collar 23" (584 mm) 8" Collar 17" (432 mm)	(I) 19" (483 mm)	*		
Chimney Connector Clearance						
Single-wall connector, No chimney connector heat shields	21" (533 mm)			7" (178 mm)		
Single-wall connector, Chimney connector heat shields installed	9" (229 mm)			3" (76 mm) ³		
Double-wall connector	6" Connector 15" (381 mm)	8" Connector 9" (229 mm)		*		
Clearance to Combustibles in Front of Stove						
All Installations (S) 48" (1219 mm)						

* Clearances with double-wall connectors and protected surfaces have not been tested for the Encore NC.

1. A ceiling heat shield, 24" (610 mm) in diameter and suspended 1" (25 mm) from the ceiling, must surround the chimney connector in installations in which the chimney connector penetrates the ceiling.
2. The chimney connector shield extends only to 36" (914 mm) above the flue collar.
3. The ceiling heat shield required when the chimney connector shields are used should meet the wall protector. This will require trimming the ceiling shield along the line of intersection with the wall protector.
4. The vertical collar heat shield is not required when wall protection is installed according to this manual.
5. All rear exit installations require a wall shield when combustible material is within 12" (305 mm) of the center of the rear wall pass through. The shield must be 24" (610 mm) in diameter, be spaced 1" (25 mm) from the wall and must surround the chimney connector.